

- o Flat Cable Connectors SEK
- o *har-mik®*
- o D-Sub
- o InduCom

Applications



## Product details

**09 16 024 3001**

**Male insert, Han 24 DD**

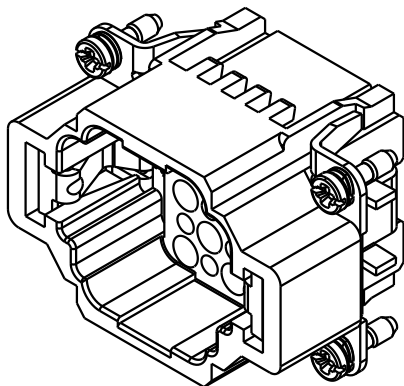
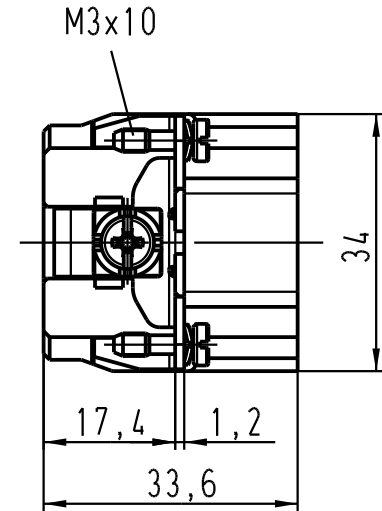
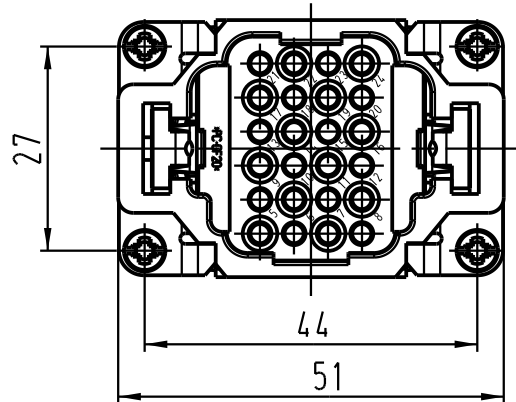
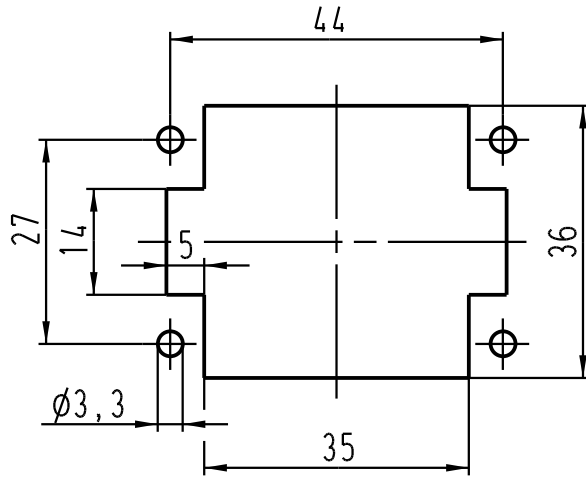
Series	Han DD®
Number of contacts	24 poles + PE
Size of hood/ housing	Han® 6 B
Termination	Crimp termination
Insert material	Standard material
Contacts	Order separately
Electrical data	10 A 250 V 4 kV 3
RoHS compliant	Yes



### Available Downloads

Title	Format	
Data sheet	PDF	<a href="#">↓ download</a>
CAD data 2D	DXF	<a href="#">↓ download</a>
CAD data 3D	IGES	<a href="#">↓ download</a>

**Inquiry**

Montageausschnitt /  
panel cut out



 All Dimensions in mm Original Size DIN A 4		Techn. Character.			Nicht tolerierte Masse / Free size tolerances	
			Dat.	Name	Massstab / Scale  <b>1 : 1</b>	<b>Han 24DD-M-c</b> Stifteinsatz / male insert
		Detail.	24.06.03	Ho		
		Insp.		KR		
		Stand.				
410513		HARTING Electric GmbH & Co. KG				<b>TB 09 16 024 3001</b>
Mod.	Dat.	Name	D-32339 Espelkamp			
						Blatt / page